



**Technotrade**

Forecourt automation

# Fuel meter

**ER 91 E**

The accuracy and  
precision at any  
pressure and flow rate.

**Simple. Reliable. Efficient.**

Dependable performance with  
high petroleum products.



+380 44 502 4655



mail@technotrade.ua



Mrii str. 17, Kyiv 04128, Ukraine



## General Information

**ER 91 E** meter is a positive replacement type, has a 1 ½" diameter of inlet/outlet dimensions and 180° inlet and outlet connections. The accuracy of the meter is certain in every pressure and flow rate. Inner mechanism consist of aluminium and polyamide parts. The meter has a low ignition temperature. All the dynamic seals/gaskets are used to materials made of FKM or teflon in order to give reliable performance in the high petroleum products.

## Meter Types

**SP – Standard Petroleum (I)** Leaded and unleaded gasoline, Fuel Oil, Diesel, Biodiesel, Kerosene, Jet Fuel, Vegetable oil, Lubricant oil, Ethylene glycole (Antifreeze) etc. rafined petroleum products.

**AF – All Ferrous (II)** Pesticides, Nitrogen Solutions, Fertilizer, Solvent, Paints, Ink, Alcohol, Adhesive Substances, Motor Oils, Molasses, Liquid Sugar, Frost-free Liquids etc.

**SS – Stainless Steel (III)** All the liquids with SP and AF meters. Moreover Nitric, Phosphoric Iced Acetic Acid, Antifreeze Liquids, Vinegar, Fruit juice and other chemical substances.

## Features

**Type:** 90° inlet/outlet route, positive displacement, tri-piston

**Flow rate (min):** 20 lpm

**Flow rate (max):** 200 lpm (\*)

**Max operation pressure:** 10 bar (145 psi)

**Normal operation pressure:** 3.5 bar (51 psi)

**Operation temperature:** -20°C / +40°C

**Accuracy:** % ±0.25

**Viscosity:** 440 cP

**Counter Register:** ER 79 ECR

**Weight:** 31 kg

**Dimensions (WLH):** 28×53×55 cm

**Flange Diameter:** 1 ½"

**Meter Body:** Cast Iron (PIG GG25)

**Air separator Body:** Steel construction (St52)

(\*) max capacity 10 tons in diesel delivery.

## Material

**Meter Casing :** Cast Aluminium (AlSi10Mg)

**Air Separator Casing :** Cast Aluminium (AlSi10Mg)

**Mechanical Counter Regist. Casing :** Sheet Metal (St-37.2)

**Electronic Counter Regist. Casing :** Cast Aluminium (AlSi10Mg)

**Counter Register Screen :** Polycarbonate

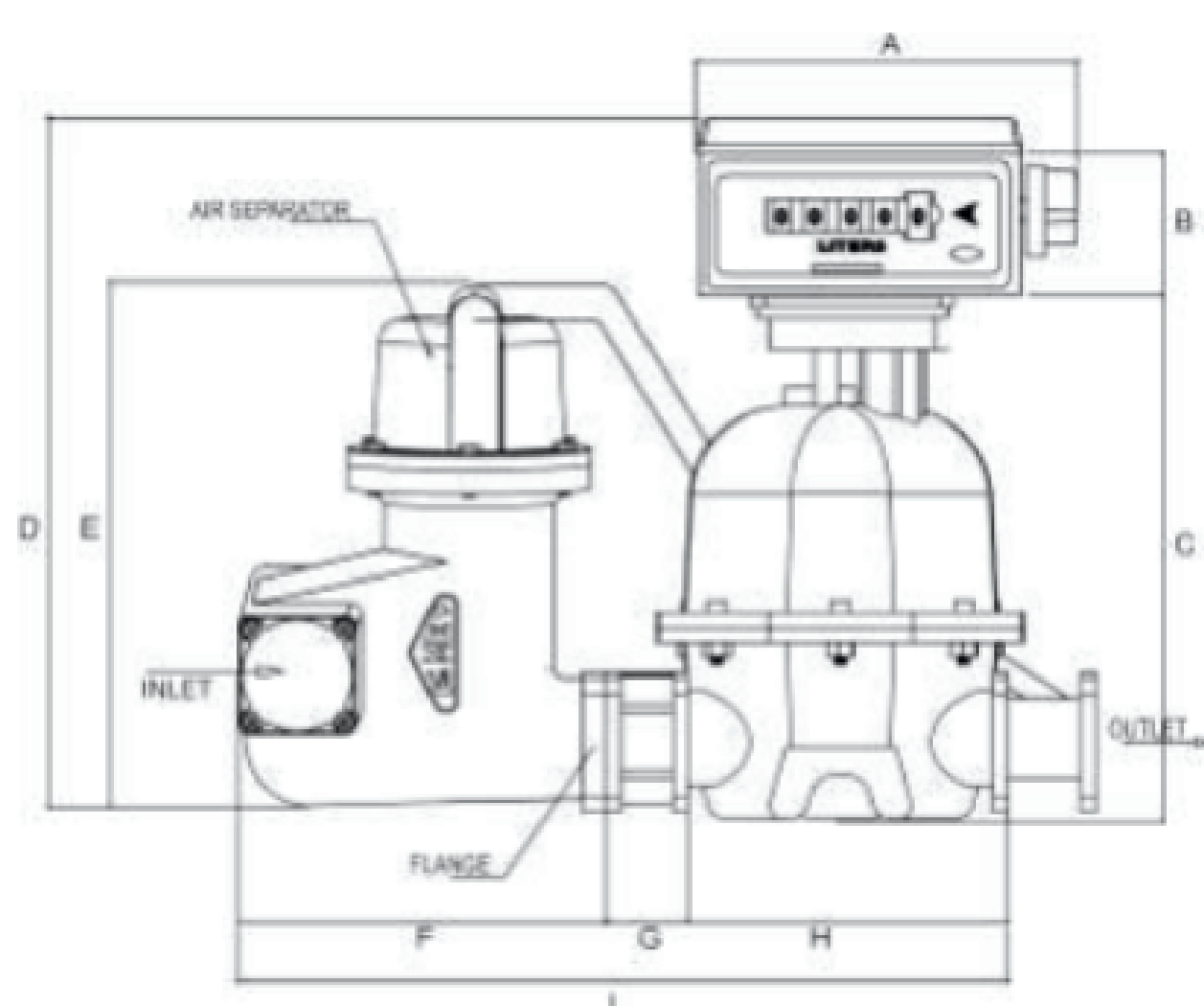


Figure 1. Front View of Meter

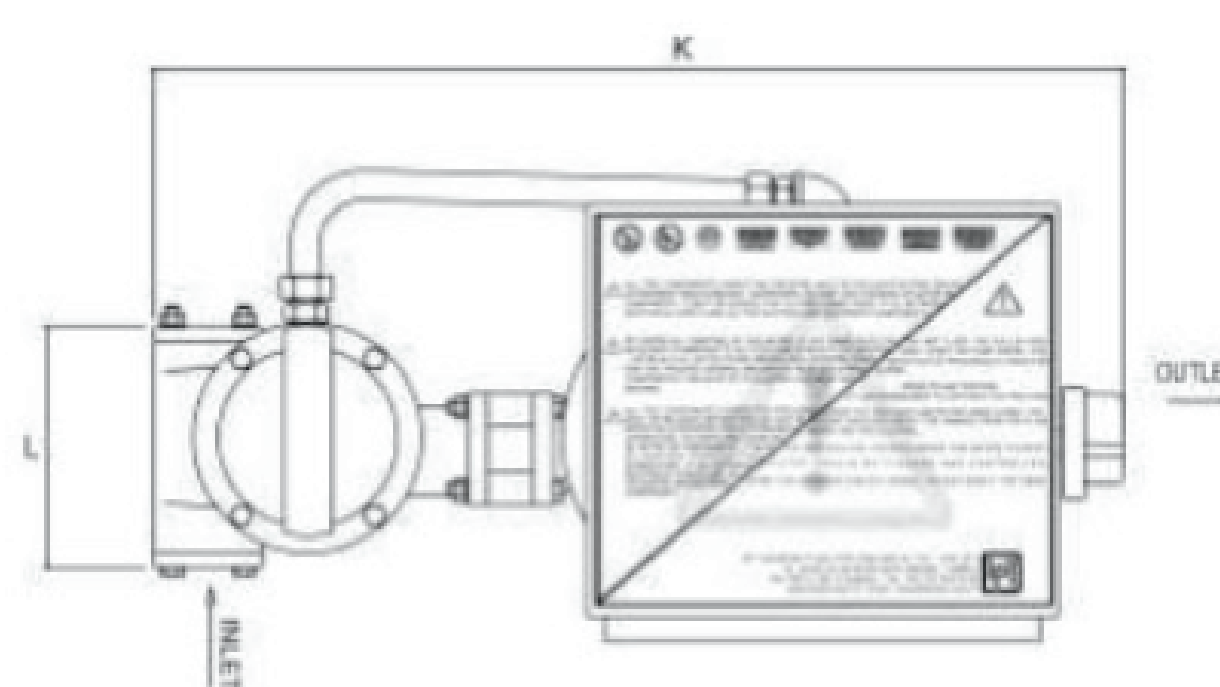


Figure 2. Top View of Meter

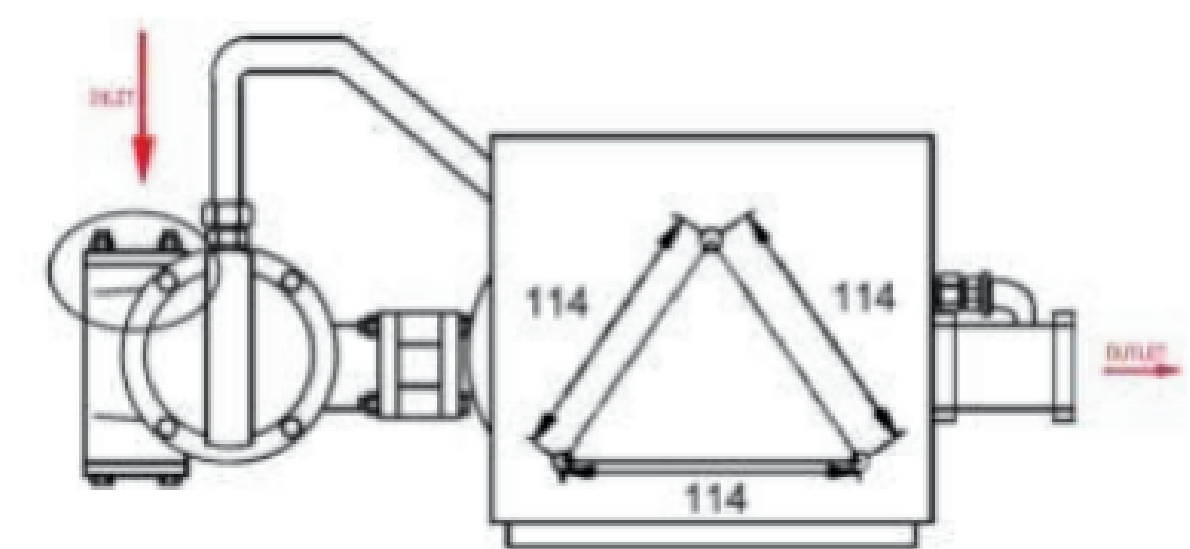


Figure 3. Bottom View of The Meter

Dimensions (mm)	A	B	C	D	E	F	G	H	I	K	L
	280	155	330	545	380	270	35	225	530	535	280

