



Technotrade

Forecourt automation

# Fuel meter

**ER 90 M**

The accuracy and  
precision at any  
pressure and flow  
rate.



**Simple. Reliable. Efficient.**

Dependable performance with  
high petroleum products.

+380 44 502 4655 

mail@technotrade.ua 

Mrii str. 17, Kyiv 04128, Ukraine 

## General Information

**ER 90 M** meter is a positive replacement type, has a 1" diameter of inlet/outlet dimensions and 90° inlet and outlet connections. The accuracy of the meter is certain in every pressure and flow rate. Inner mechanism consist of cast iron, aluminium and polyamide parts. The meter has a low ignition temperature. All the dynamic seals/gaskets are used to materials made of FKM or teflon in order to give reliable performance in the high petroleum products.

## Meter Types

**SP – Standard Petroleum (I)** Leaded and unleaded gasoline, Fuel Oil, Diesel, Biodiesel, Kerosene, Jet Fuel, Vegetable oil, Lubricant oil, Ethylene glycole (Antifreeze) etc. rafined petroleum products.

**AF – All Ferrous (II)** Pesticides, Nitrogen Solutions, Fertilizer, Solvent, Paints, Ink, Alcohol, Adhesive Substances, Motor Oils, Molasses, Liquid Sugar, Frost-free Liquids etc.

**SS – Stainless Steel (III)** All the liquids with SP and AF meters. Moreover Nitric, Phosphoric Iced Acetic Acid, Antifreeze Liquids, Vinegar, Fruit juice and other chemical substances.

## Features

**Type:** 90° inlet/outlet route, positive displacement, tri-piston

**Flow rate (min):** 10 lpm

**Flow rate (max):** 100 lpm (\*)

**Max operation pressure:** 10 bar (145 psi)

**Normal operation pressure:** 3.5 bar (51 psi)

**Operation temperature:** -20°C / +40°C

**Accuracy:** % ±0.25

**Viscosity:** 440 cP

**Counter Register:** ER 79 MCR

**Weight:** 34 kg

**Dimensions (WLH):** 28×62×53 cm

**Flange Diameter:** ¾" – 1"

**Meter Body:** Cast Iron (PIG GG25)

**Air separator Body:** Cast Aluminium (AlSi10Mg)

(\*) max capacity 5 tons in diesel delivery.

## Material

**Meter Casing :** Cast Iron (PIG GG 25)

**Air Separator Casing :** Cast Aluminium (AlSi10Mg)

**Mechanical Counter Regist. Casing :** Sheet Metal (St-37.2)

**Electronic Counter Regist. Casing :** Cast Aluminium (AlSi10Mg)

**Counter Register Screen :** Polycarbonate Glass

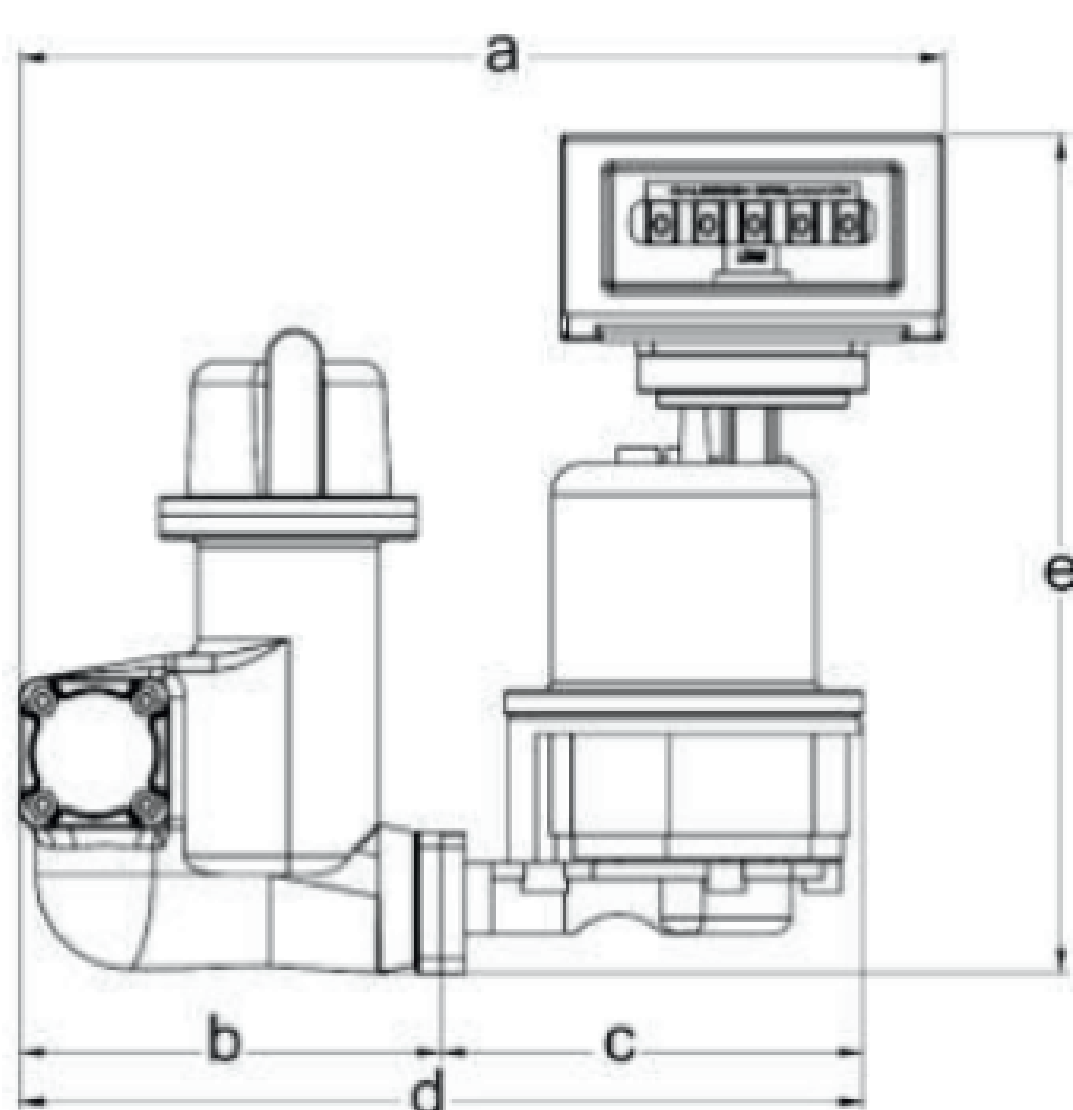


Figure 1. Front View of Meter

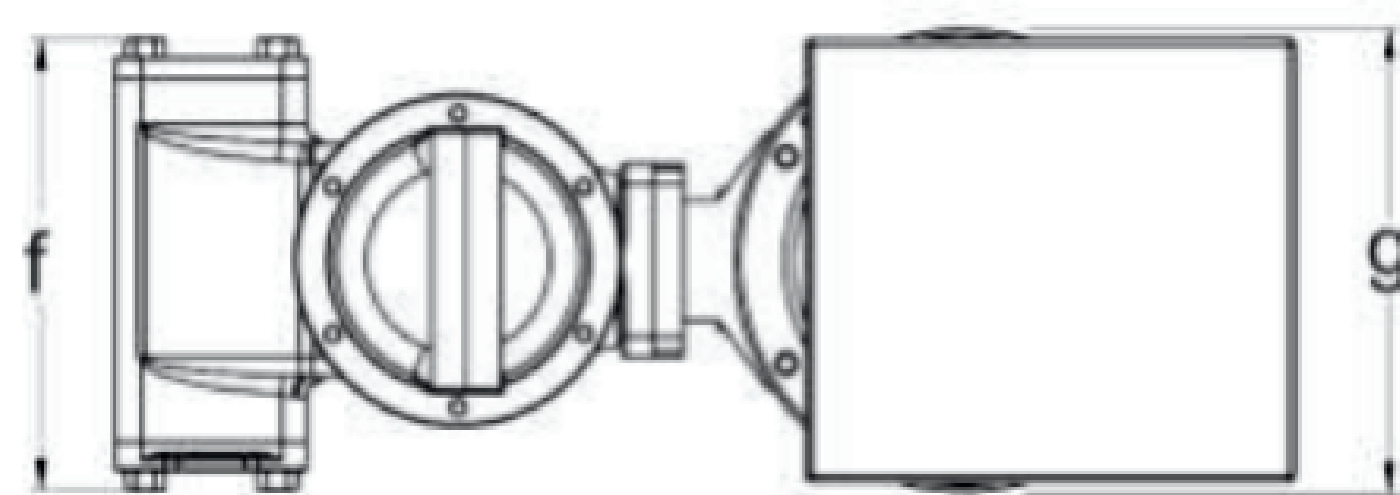


Figure 2. Top View of Meter

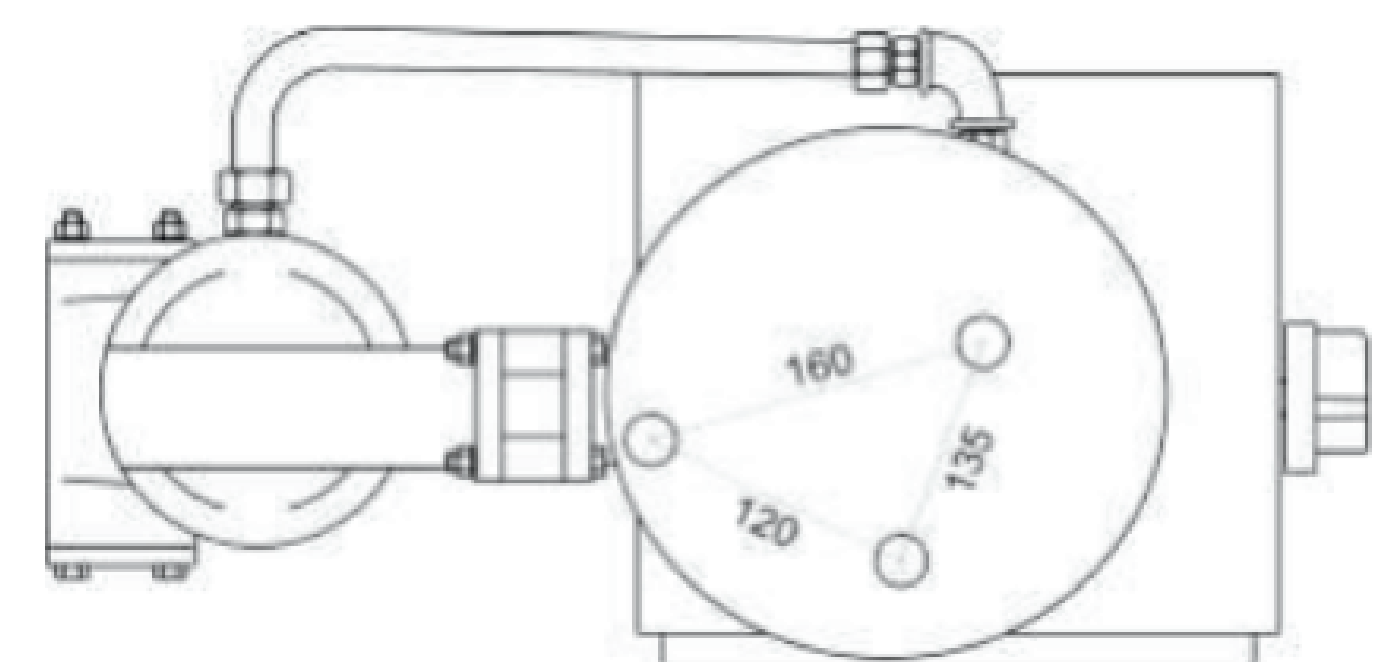


Figure 3. Bottom View of The Meter

Dimensions (mm)	A	B	C	D	E	F	G
	620	270	280	550	530	215	280

