



Technotrade

Forecourt automation

Fuel meter

ER 73 E

The accuracy and
precision at any
pressure and flow rate.

Simple. Reliable. Efficient.

Dependable performance with
high petroleum products.



+380 44 502 4655



mail@technotrade.ua



Mrii str. 17, Kyiv 04128, Ukraine



General Information

ER 73 E meter is a positive replacement type, has a 3" diameter of inlet/outlet dimensions and 180° inlet and outlet connections. The accuracy of the meter is certain in every pressure and flow rate. Inner mechanism consist of cast iron, aluminium and polyamide parts. The meter has a low ignition temperature. All the dynamic seals/gaskets are used to materials made of FKM or teflon in order to give reliable performance in the high petroleum products.

Meter Types

SP – Standard Petroleum (I) Leaded and unleaded gasoline, Fuel Oil, Diesel, Biodiesel, Kerosene, Jet Fuel, Vegetable oil, Lubricant oil, Ethylene glycole (Antifreeze) etc. rafined petroleum products.

AF – All Ferrous (II) Pesticides, Nitrogen Solutions, Fertilizer, Solvent, Paints, Ink, Alcohol, Adhesive Substances, Motor Oils, Molasses, Liquid Sugar, Frost-free Liquids etc.

SS – Stainless Steel (III) All the liquids with SP and AF meters. Moreover Nitric, Phosphoric Iced Acetic Acid, Antifreeze Liquids, Vinegar, Fruit juice and other chemical substances.

Features

Type: 180° inlet/outlet route, positive displacement, double pallet, single rotor, rotary

Flow rate (min): 450 lpm

Flow rate (max): 1580 lpm (*)

Max operation pressure: 10 bar (145 psi)

Normal operation pressure: 3.5 bar (51 psi)

Operation temperature: -20°C / +40°C

Accuracy: % ±0.25

Viscosity: 440 cP

Counter Register: ER 79 ECR

Weight: 145.5 kg

Dimensions (WLH): 43×93×65 cm

Flange Diameter: 3" – 4"

Meter Body: Cast Iron (PIG GG25)

Air separator Body: Steel construction (St52)

(*) max capacity 80 tons in diesel delivery.

Material

Meter Casing : Cast Iron (PIG GG 25)

Air Separator Casing : Cast Aluminium (AlSi10Mg)

Mechanical Counter Regist. Casing : Sheet Metal (St-37.2)

Electronic Counter Regist. Casing : Cast Aluminium (AlSi10Mg)

Counter Register Screen : Polycarbonate

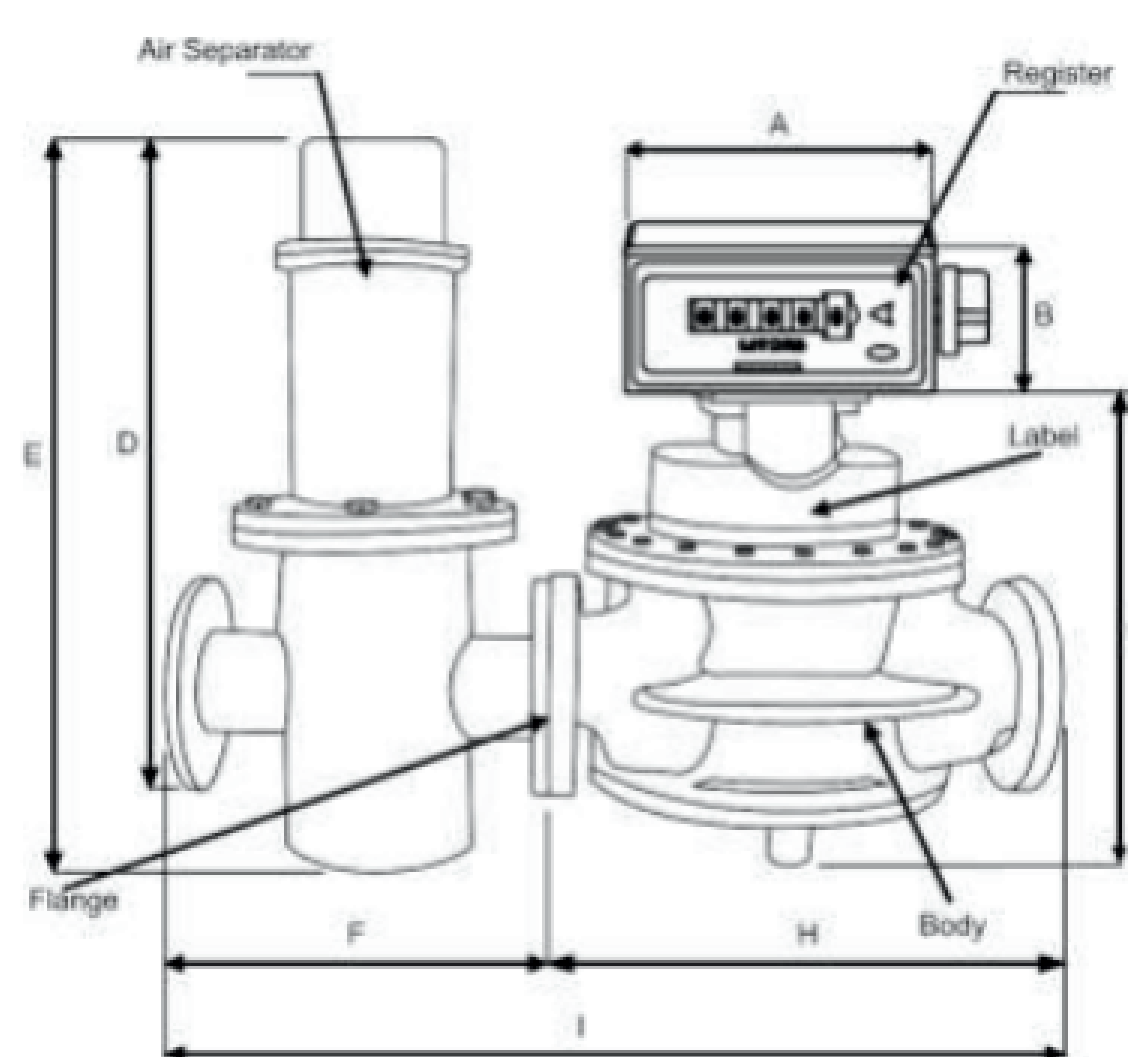


Figure 1. Front View of Meter

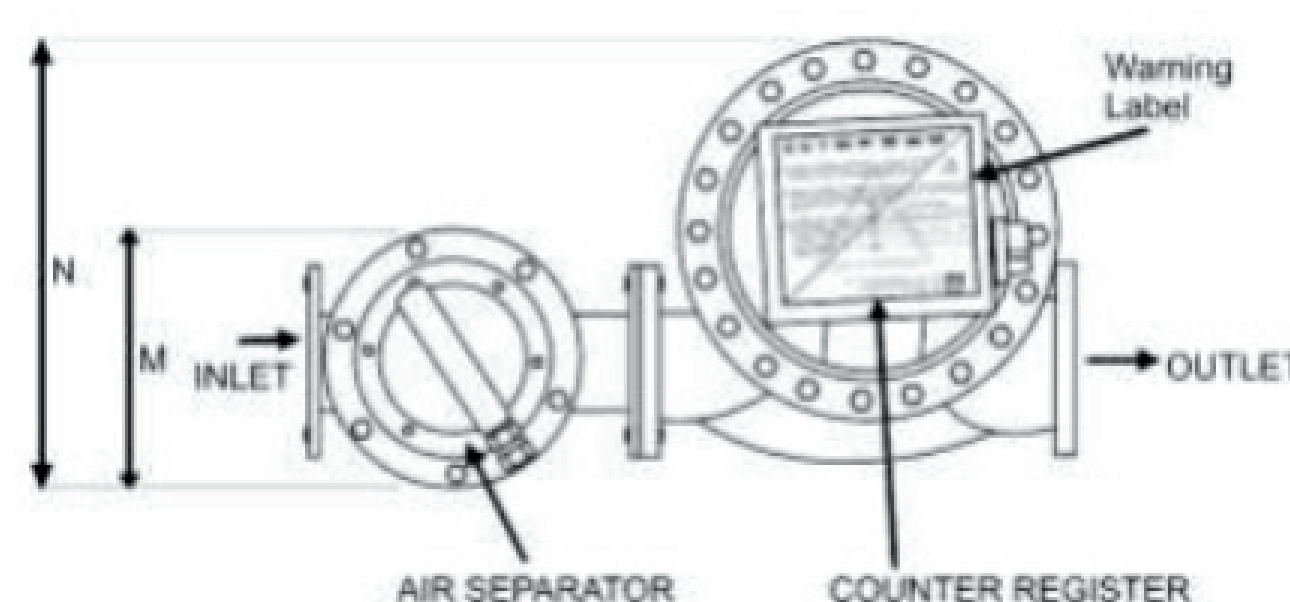


Figure 2. Top View of Meter

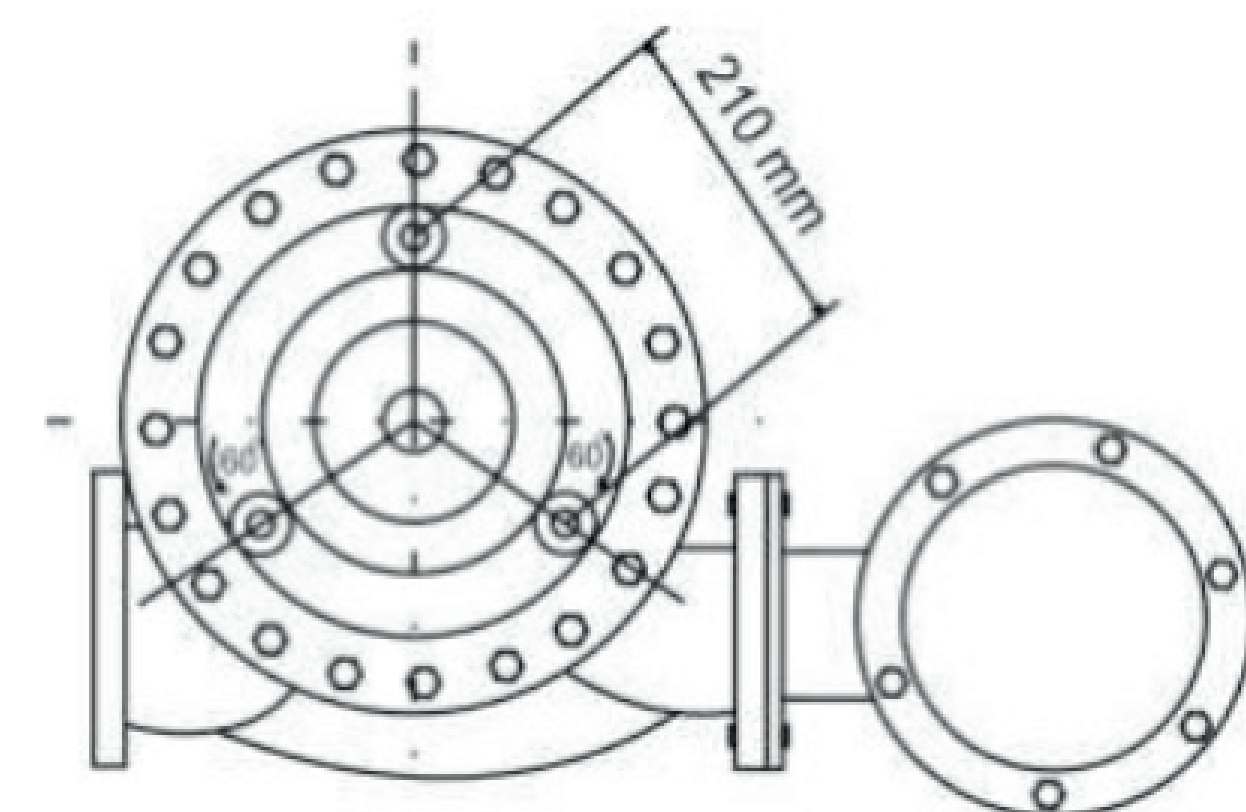


Figure 3. Bottom View of The Meter

Dimensions (mm)	A	B	C	D	E	F	H	I	M	N
	245	130	430	570	640	290	425	780	245	440

